

TJ or TJU

Customer Name: _____
Address: _____

Circle One

Additional Options

Wheel Opening Options

Tire Size:

Choose Option #1 OR #2 OR #3
 (Circle # Below)

#1 - Move Centerline of Opening Back:
 (see illustration 2 on how to provide measurement)

Inches:

#2 - Open up Rear of Opening Larger:

+2" +3" +4"

#3 - None

Flare Holes (OEM Location): Yes No

Mounting holes instead

of Flare holes: Yes No

(If selecting one #1 or #2 Wheel Opening options you Must select No Flare Holes)

Mounting Holes: Yes No

Hinge Cut Outs: Yes No

License Plate Holes: Yes No

Light Cut Outs:
 Factory **OR** 4.5" Round

Gas Filler Options:

(The Nemesis option requires the purchase of the TJ-TJU Gas Filler PN: 102920. Additional charge for the part)

Stock Nemesis None

Front Rocker Extension Options:

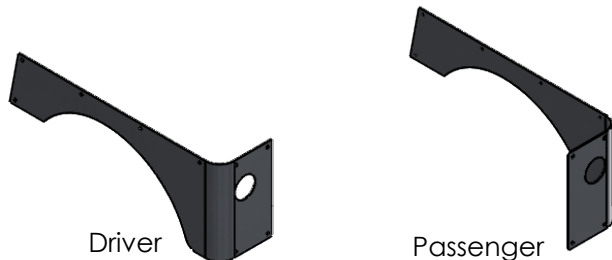
Yes No


Custom Rockers:

(If choosing custom rockers we will match the wheel well opening to the tub armor and rocker. Additional charge for the parts)

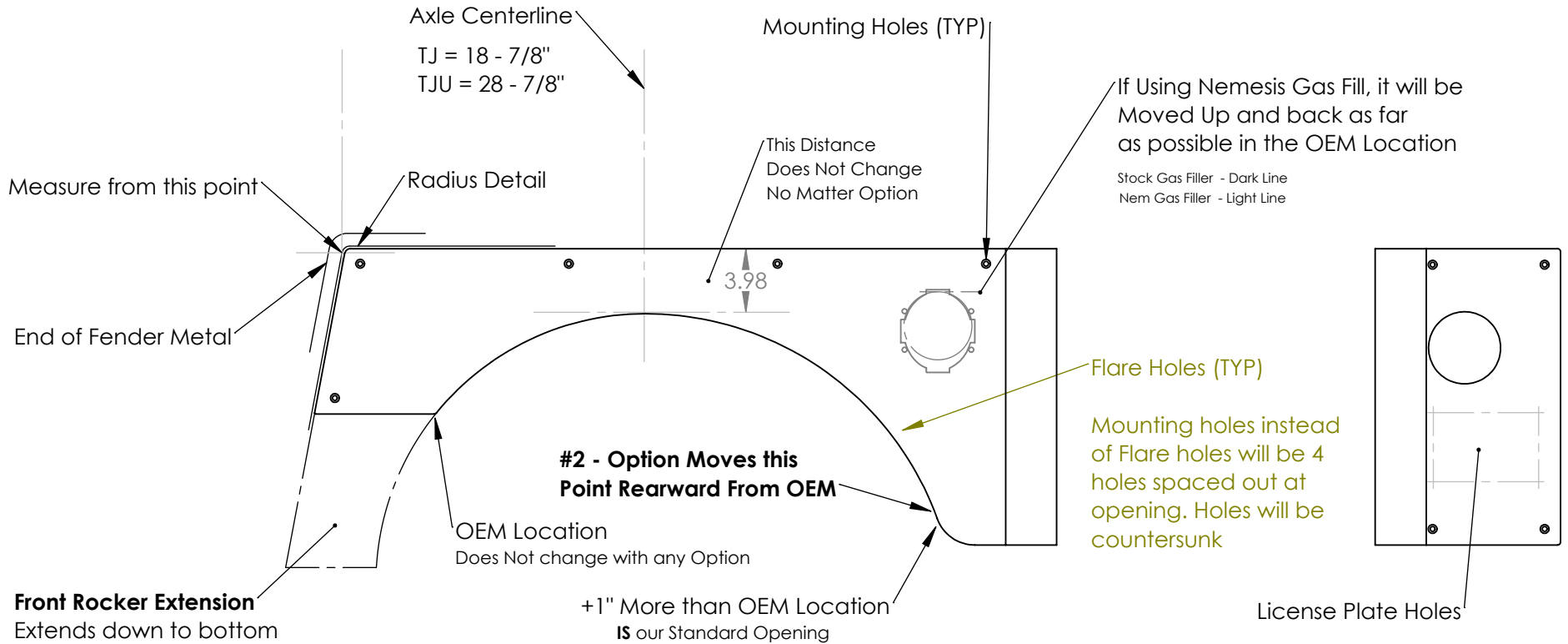
Titan Tub Armor **OR** Titan Tub Armor and Billy Rocker

Example of Each Item is on the Next Page




UNLESS OTHERWISE SPECIFIED:	NAME	DATE	 Nemesis Industries, Inc 33990 CR-27 T: 303-974-2440 Kiowa, Co 80117 F: 303-953-5212 www.nem-ind.com		
DIMENSIONS ARE IN INCHES	DRAWN	MRH			2/25/2021
TOLERANCES:	APPROVED				
ANGULAR: ± .05°	Drawing Status	Development			
TWO PLACE DECIMAL ±.030	COMMENTS:	Order Form		Part Number	REV
THREE PLACE DECIMAL ±.010				TJ - TJU Corner Q's	1
DO NOT SCALE DRAWING				SHEET 1 OF 3	
MATERIAL: 5052-H32				<p align="center">PROPRIETARY AND CONFIDENTIAL</p> <p align="center">THE INFORMATION CONTAINED IN THIS DRAWING IS THE SOLE PROPERTY OF NEMESIS INDUSTRIES, INC. ANY REPRODUCTION IN PART OR AS A WHOLE WITHOUT THE WRITTEN PERMISSION OF NEMESIS INDUSTRIES, INC IS PROHIBITED.</p>	
THICKNESS: .190					
FINISH:					

#1 - Option Moves whole wheel Opening Rearward



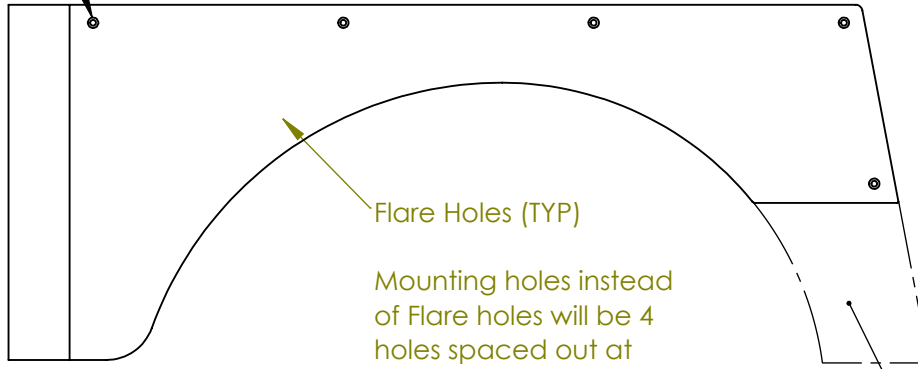
Front Rocker Extension

Extends down to bottom of Side panel.
 You cut to fit.
 No Powder Coat Option.
 Must add your own mounting holes.

UNLESS OTHERWISE SPECIFIED:	NAME	DATE	 Nemesis Industries, Inc 33990 CR-27 Kiowa, Co 80117 www.nem-ind.com T: 303-974-2440 F: 303-953-5212
DIMENSIONS ARE IN INCHES	DRAWN	MRH 2/25/2021	
TOLERANCES:	APPROVED		
ANGULAR: ± .05°	Drawing Status	Development	
TWO PLACE DECIMAL ±.030	COMMENTS:	Driver side	Part Number
THREE PLACE DECIMAL ±.010			TJ - TJU Corner Q's
DO NOT SCALE DRAWING			REV
MATERIAL:			1
5052-H32			
THICKNESS:			
.190			
FINISH:			
PROPRIETARY AND CONFIDENTIAL THE INFORMATION CONTAINED IN THIS DRAWING IS THE SOLE PROPERTY OF NEMESIS INDUSTRIES, INC. ANY REPRODUCTION IN PART OR AS A WHOLE WITHOUT THE WRITTEN PERMISSION OF NEMESIS INDUSTRIES, INC IS PROHIBITED.			

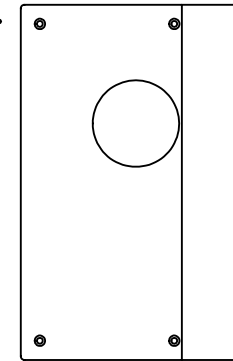
Mounting Holes (TYP)

If NO HINGE HOLES There will be an Extra Mounting Hole Here




Flare Holes (TYP)

Mounting holes instead of Flare holes will be 4 holes spaced out at opening. Holes will be countersunk



Front Rocker Extension

Extends down to bottom of Side panel.
You cut to fit.
No Powder Coat Option.
Must add your own mounting holes.

UNLESS OTHERWISE SPECIFIED:	NAME	DATE	 Nemesis Industries, Inc 33990 CR-27 Kiowa, Co 80117 www.nem-ind.com T: 303-974-2440 F: 303-953-5212		
DIMENSIONS ARE IN INCHES	DRAWN	MRH			2/25/2021
TOLERANCES:	APPROVED				
ANGULAR: $\pm .05^\circ$	Drawing Status	Development			
TWO PLACE DECIMAL $\pm .030$	COMMENTS:	Passenger side		Part Number	REV
THREE PLACE DECIMAL $\pm .010$				TJ - TJU Corner Q's	1
DO NOT SCALE DRAWING				SHEET 3 OF 3	
MATERIAL: 5052-H32					
THICKNESS: .190	<p align="center">PROPRIETARY AND CONFIDENTIAL</p> <p align="center">THE INFORMATION CONTAINED IN THIS DRAWING IS THE SOLE PROPERTY OF NEMESIS INDUSTRIES, INC. ANY REPRODUCTION IN PART OR AS A WHOLE WITHOUT THE WRITTEN PERMISSION OF NEMESIS INDUSTRIES, INC IS PROHIBITED.</p>				
FINISH:					